



Introducing the TDL501 Series Ultrasonic Miniature Liquid Level Switch

SERIES: TDL501



FEATURES

- High pressure up to 250 PSIG (1724 Kpa)
- Output: Relay output, 1 amp SPST (NO, C) sink & source current - STD
- No moving parts, easy to install
- Input 5VDC to 30VDC
- Digital Filter Technique Enhance Performance

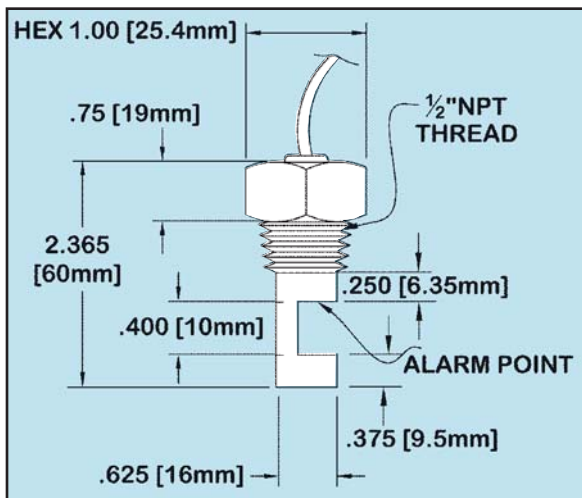
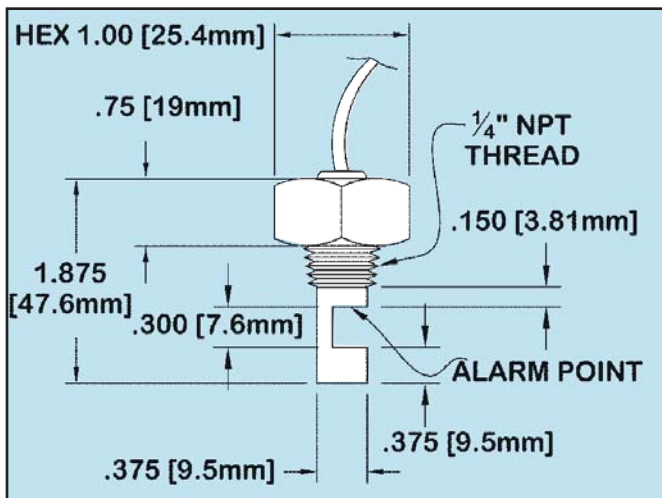
OPTIONS:

- Higher pressure up to 500 psi
- Higher temperature up to 212 degrees F
- Two wire loop power or 3.3 volt input power
- Relay output, 1 amp SPST (NC, C)

DESCRIPTION

Proven Ultrasonic Technology Combined With Micro Controller Improved Performance In Aerated Liquid With Cost Effective Design For Tight Space & Direct Replacement Of Electro Optical Switch & Mechanical Float Switch

DIMENSIONS

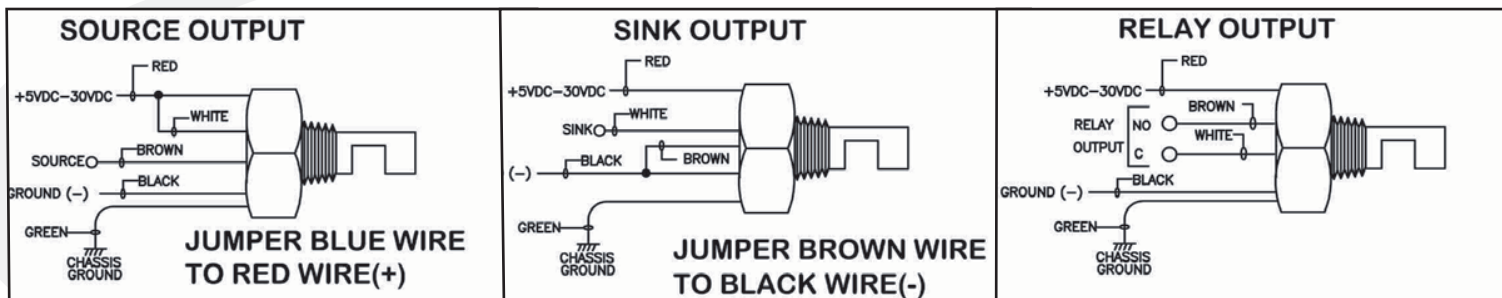




SPECIFICATIONS

Repeatability	2mm or better
Delay	0.5 seconds
Input Power	5 VDC to 30VDC
Leakage Current:	Less than 50µA
Outputs	Source - 100mA max STD (standard) Sink - 100mA max STD (standard)
Relay Output	1 amp SPST (NO,C)
Protection	Transient, reverse polarity
Sensor	316LSS standard
Temperature	-20°F to +176° F (-29°C to 80°C)
Pressure	Up to 250 psig (1724 Kpa) - LL-01 series
Mounting	1/4" NPT, 1/2" NPT STD (standard)
Cable Length	12" (305mm) longer lengths, consult factory

WIRING DIAGRAM



ORDERING

Series Part Nuber	Sensor Mounting	Electronics Input	Electronics Output
TDLS0112901	1/4" NPT	5VDC-30VDC	Sink
TDLS0112902	1/4" NPT	5VDC-30VDC	Source
TDLS0112903	1/4" NPT	5VDC-30VDC	1 Amp SPST Relay (NO, C)
TDLS0112905	1/2" NPT	5VDC-30VDC	Sink
TDLS0112906	1/2" NPT	5VDC-30VDC	Source
TDLS0112907	1/2" NPT	5VDC-30VDC	1 Amp SPST Relay (NO, C)

