

## proxi-captor

Type 2045.-- / 2090.--  
2040.-- / 2080.-- / 2100.--

proxi-captors are rugged, inductive proximity switches which have been especially conceived for installation in harsh industrial environments.

The simple nylon Allen bolt mounting of both proxi-captor series protects the units from serious mechanical damage in the event of a collision by breaking cleanly. Designed for heavy industrial applications the proxi-captors are fully resin encapsulated and constructed of durable material; types 2040.--, 2080.--, and 2100.-- are housed in resilient ABS plastic, types 2045.-- and 2090.-- have an aluminium housing designed for flush mounting.

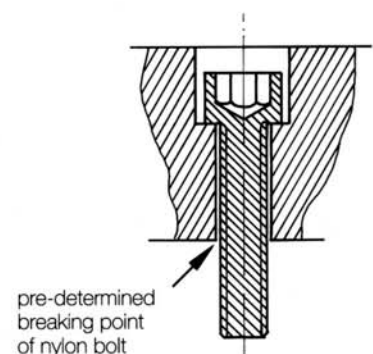
The high frequency oscillator in the proxi-captor is detuned when metal components approach and subsequently drives a switching stage via a trigger amplifier to give a reliable switching signal.

The proxi-captor can be applied wherever switching distances vary, high switching frequencies occur or large sensing distances are concerned and where high repeatability is required.

proxi-captor inductive proximity switches for contactless switching tasks in heavy industry, simple to install with center fixing bolt, adjustable switching range, short circuit protected, fully encapsulated electronics

### Electrical Data

Type	AC		DC			
	.62	.63	.14	.15		
Output	thyristor		transistor			
Output function	n.c.	n.o.	NPN n.c.	PNP n.o.	NPN n.o.	PNP n.c.
Supply voltage	90 - 250 V		20 - 27 V			
Power consumption	approx. 0.45 VA open at 220 V		approx. 0.6 W			
Voltage drop	approx. 9.5 V at 30 mA		2.5 V at 400 mA			
Switching current	5 - 200 mA		400 mA			
Trip point for overload	350 mA		550 mA			

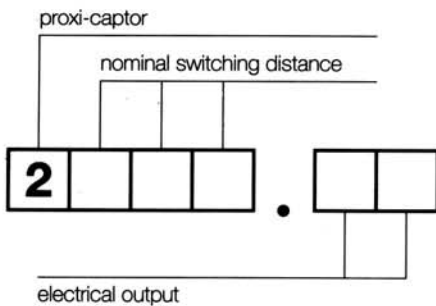


# proxi-captor

Type 2045.-- / 2090.--  
 2040.-- / 2080.-- / 2100.--  
 Inductive proximity switch

These proxi-captors are available in different electrical versions for AC or DC applications with thyristor, antivalent transistor or other outputs on request.

### Type code

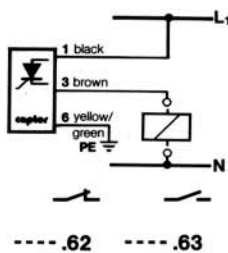


### Mechanical Data

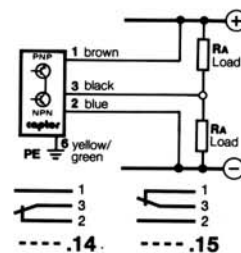
Type	2040.--	2080.--	2100.--	2045.--	2090.--
Installation	center hole mounting with nylon Allen bolt				
Mounting screws	M 12 x 50	M 12 x 50	M 16 x 70	M 12 x 80	M 16 x 90
Connection cable/moulded	oilflex 0.5 mm <sup>2</sup>	oilflex 0.5 mm <sup>2</sup>	silicone armoured 0.75 mm <sup>2</sup>		
Connection plug	watertight connection plug, UL approved available				
Mass	350 g	800 g	2300 g	1300 g	4400 g
Dimensions in mm (d x h)	75 x 35	110 x 45	163 x 63	100 x 52	200 x 70
Nominal switching distance	40 mm	80 mm	100 mm	45 mm	90 mm
Correction factors	Fe = 1.0; CrNi = 0.85; Brass = 0.54; Al = 0.5; Cu = 0.46				
Vibration and shock	in accordance with DIN 574 11.				
Hysteresis	approx. 10 % of switching distance				
Housing material	ABS plastic			aluminium	
Protection standard	IP 65 / DIN 400 50				
Function indicator	LED				
Ambient temperature	-10 °C to +65 °C (14 °F to 148 °F)				
Repeatability	better than 1 %				
Short circuit protection	max. 1 short circuit / s				
Custom-made models	on request				

### Connection diagram

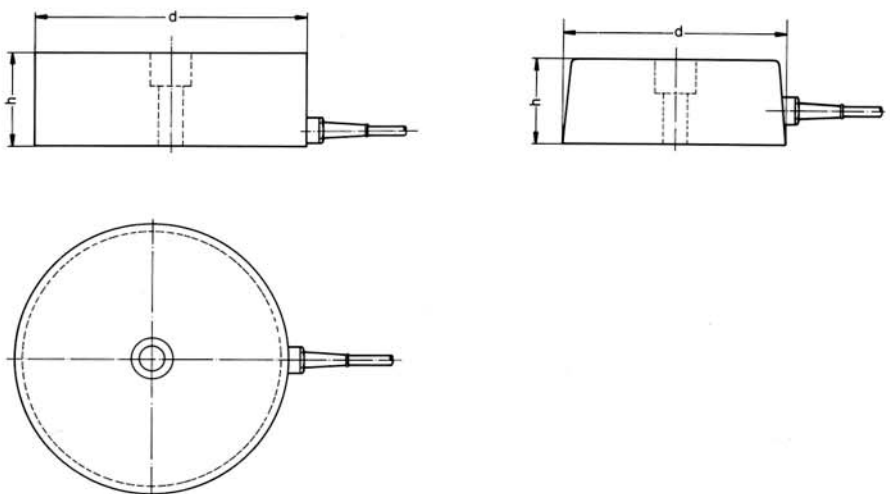
#### AC thyristor output



#### DC transistor output



### Dimensions (cf. above)



# Gordy's Sensors

5772 Smaller Rd, Johnstown, OH 43031 Phone: (740) 967-2283 Fax: (740) 967-2855  
 Website: [www.gordyssensors.com](http://www.gordyssensors.com) or Email: [sales@gordyssensors.com](mailto:sales@gordyssensors.com)