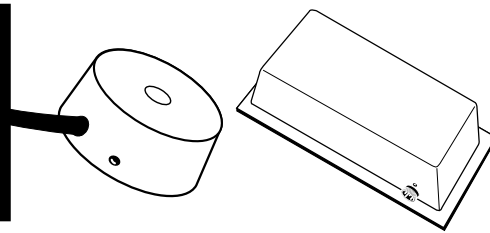


Plastic

Inductive Flat Pack

DC AC



Proximity Sensors

These ultra long range sensors are ideal when exact positioning of large objects is not possible.

20-250mm Adjustable (Unshielded) Sensing Ranges

Connector Type	Circuit Description	Housing Material	Shielded Model No.	Unshielded Model No.	Maximum Load Current	Leakage Current	Voltage Drop*	Maximum Switching Frequency	Short Circuit Protected
Round 20-50mm Adjustable DC 10-55V									
6.6' Cable	3W, NPN, NO	Plastic	—	ER510-25121	400mA	<10µA	<2.5 VDC @ 400mA	30Hz	yes
6.6' Cable	3W, PNP, NO	Plastic	—	ER510-25123	400mA	<10µA	<2.5 VDC @ 400mA	30Hz	yes
Round 20-50mm Adjustable AC 80-250V									
6.6' Cable	2W, AC, NO	Plastic	—	ER520-25165	400mA	<2mA @ 220 VAC	<8 VAC @ 400mA	8Hz	no
Round 30-70mm Adjustable DC 10-30V									
6.6' Cable	3W, NPN, NO	Plastic	—	ER510-27021	400mA	<10µA	<2.5 VDC @ 400mA	30Hz	yes
6.6' Cable	3W, PNP, NO	Plastic	—	ER510-27023	400mA	<10µA	<2.5 VDC @ 400mA	30Hz	yes
Round 30-70mm Adjustable AC 80-250V									
6.6' Cable	2W, AC, NO	Plastic	—	ER520-27065**	400mA	<2mA @ 220 VAC	<8 VAC @ 400mA	8Hz	no
Round 40-100mm Adjustable DC 10-30V									
4-pin Mini	3W, NPN, NO	Plastic	—	ER510-21221	400mA	<10µA	<2.5 VDC @ 400mA	20Hz	yes
4-pin Mini	3W, PNP, NO	Plastic	—	ER510-21223	400mA	<10µA	<2.5 VDC @ 400mA	20Hz	yes
6.6' Cable	3W, NPN, NO	Plastic	—	ER510-21021	400mA	<10µA	<2.5 VDC @ 400mA	20Hz	yes
6.6' Cable	3W, PNP, NO	Plastic	—	ER510-21023	400mA	<10µA	<2.5 VDC @ 400mA	20Hz	yes
Round 40-100mm Adjustable AC 80-250V									
3-pin Mini	2W, AC, NO	Plastic	—	ER520-21265**	400mA	<2mA @ 220 VAC	<8 VAC @ 400mA	8Hz	no
6.6' Cable	2W, AC, NO	Plastic	—	ER520-21065**	400mA	<2mA @ 220 VAC	<8 VAC @ 400mA	8Hz	no
Rectangular 70-150mm Adjustable AC/DC 38-250V									
3-pin Mini	2W, AC/DC, NO	Plastic	—	ER520-86401**	400mA	<2mA @ 220 VAC	<11 VAC	10Hz	yes
6.6' Cable	2W, AC/DC, NO	Plastic	—	ER520-86411**	400mA	<2mA @ 220 VAC	<11 VAC	10Hz	yes
Rectangular 100-250mm Adjustable AC/DC 38-250V									
3-pin Mini	2W, AC/DC, NO	Plastic	—	ER520-87401**	400mA	<2mA @ 220 VAC	<11 VAC	5Hz	yes
6.6' Cable	2W, AC/DC, NO	Plastic	—	ER520-87411**	400mA	<2mA @ 220 VAC	<11 VAC	5Hz	yes

* Across conducting sensor

** Without Mounting Plate



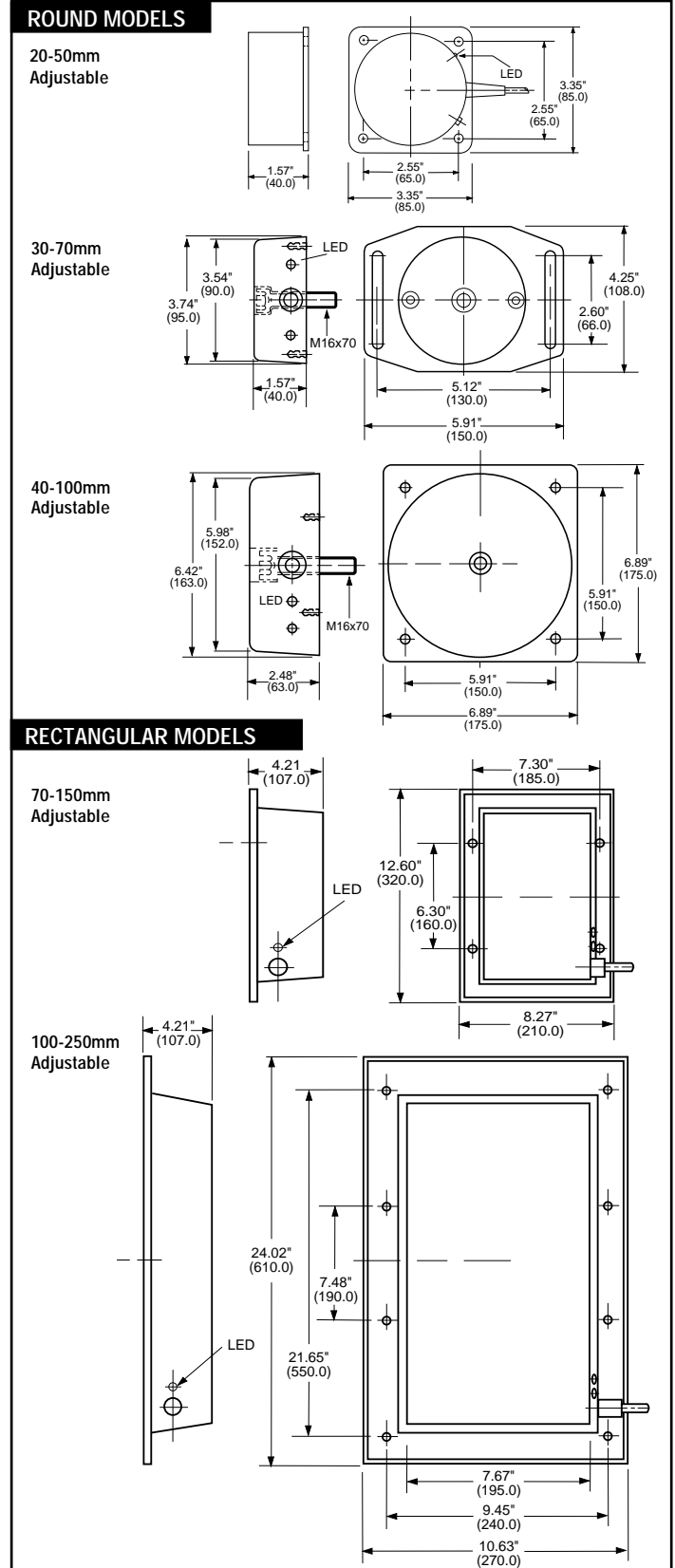
Gordy's Sensors

5772 Smaller Rd, Johnstown, OH 43031 Phone: (740) 967-2283 Fax: (740) 967-2855
 Website: www.gordyssensors.com or Email: sales@gordyssensors.com

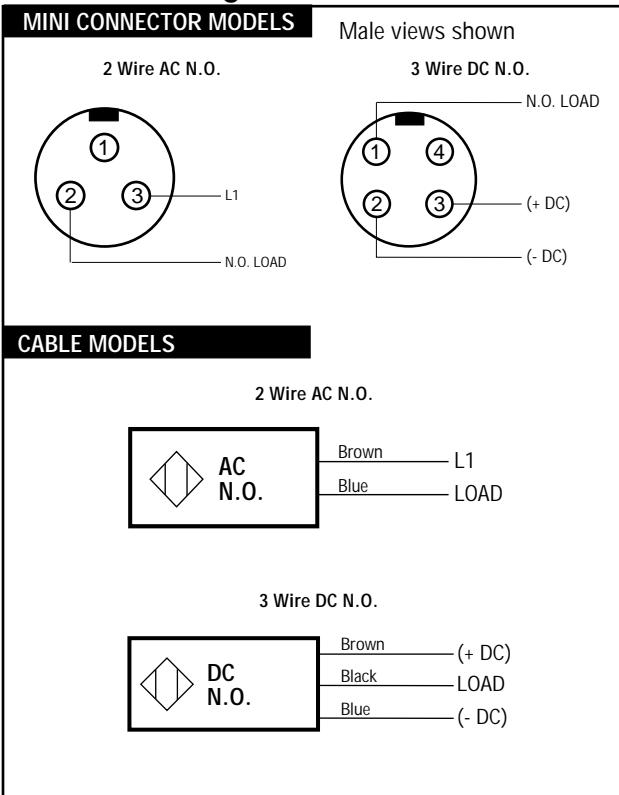
Common Sensor Characteristics

PLASTIC FLAT PACK DC & AC SENSORS	
Unshielded Sensing Range	20-250mm Adjustable
Standard Target (mm) (mild steel)	150x150x1 (20-50mm range) 210x210x1 (30-70mm range) 300x300x1 (40-100mm range) 450x450x1 (70-150mm range) 600x600x1 (100-250mm range)
Repeatability	± 2%
Hysteresis	3-8% (typ.); 15% (max.)
Temperature Drift (max.)	±15%
Ambient Temperature Range	-13°F to +158°F
Reverse Polarity Protected	yes
Current Consumption	<6mA (DC)
NEMA Enclosure Type	1, 12, 13
LED Indicator	red = target
Plastic Housings	Noryl®
Shipping Weight	Connector model: 5 lb. Cable model: 5 lb. 5 oz.

Dimensional Drawings



Circuit Drawings



Gordy's Sensors

5772 Smaller Rd, Johnstown, OH 43031 Phone: (740) 967-2283 Fax: (740) 967-2855
Website: www.gordysensors.com or Email: sales@gordysensors.com