

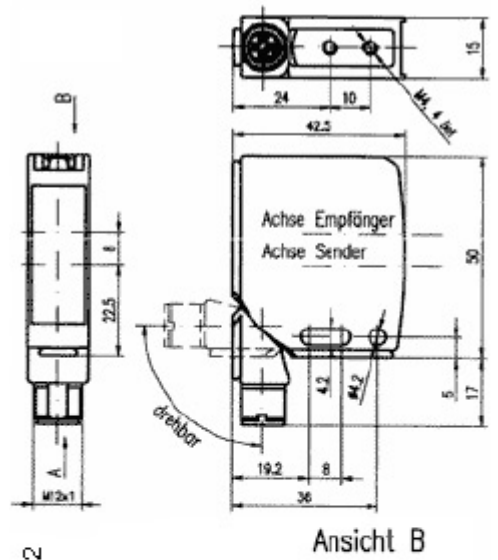


## GS21M-recvr Photoelectric Sensors (Receiver Module)



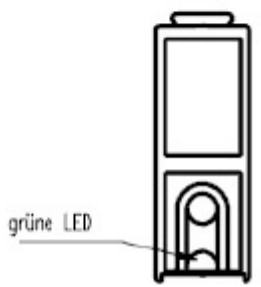
### Specification

Electrical Data	
Switching frequ. standard beam	1500 Hz
On Time delay (standard beam)	< 1 ms
Off time delay (standard beam)	<0,33 ms
Rated operational current (Ie)	100 mA
Switching output	PNP
Operating frequency (f)	1500 Hz
Supply current I <sub>o</sub> max. at U <sub>e</sub>	35 mA
Rated operational voltage min.	10V
Rated operational voltage max.	30 V
Ripple incl.	max. 15% from UB
Voltage drop U <sub>d</sub> max. at I <sub>e</sub>	2V
Mechanical Data	
Surface treatment	nickel plated
Sensing face material	PM MA
Housing material	GD-Zn, nickel-plated
Version	50x42x15
adjusting operating dist.	Potentiometer
Assured operating dist. max.	60000 mm
Ambient temperature max	50 °C
Ambient temperature min	-10 °C
weight	80 g
Optical Data	
Emitter type permissible	red light
ambient light	5000
General Data	
sensitivity adjustment	Potentiometer
Function indication	yes
Degree of protection IP	IP 67
Insulation class	2
Polarity reversal resistant	yes
Approval	CE, cU Lus
Type	Laser-through-beam receiver



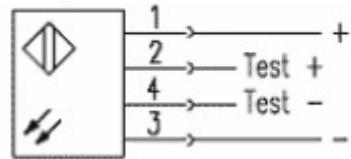
Ansicht B

P 1882



P 1886

### Wiring



### Pinout

