



## NWS - Vibrating Level Switches



### Benefits and Features

- Small and Compact
- No Wear Components
- Unaffected by External Vibrations
- Works with Many Liquids
- User Selectable Switch Logic

### Specifications

- For liquids
- Contact: 1 Electronic switch
- Fitting: 3/4" NPT, 1" NPT male, 2" TriClamp
- Material: 316 SS
- Max. pressure: 650 PSIG @ 270°F
- Max. temperature: 270°F
- Viscosity: 0.5-5000 cSt

### General Description

With a simple twist of the sight glass, integral wipers clean the viewing area to allow unobstructed observation of the rotor. The offending contaminants are then simply washed away by the medium flow. This process may be repeated as often as desired-no fuss-no downtime. The DAA is available with brass or stainless steel fittings with female threads 1/4" to 1-1/2" NPT. The body is made of a hard glass (Duran) and the rotor and wipers are synthetic. the device is kept tight and rotatable through the use of low friction o-rings. Try the new DAA, it can be habit forming

DAA visual flow indicator features a self-cleaning mechanism to insure full visibility of the rotor at all times. Most types of known flow indicators suffer problems of indicator visibility with use. These problems are the result of dirt build-up on the viewing windows of these devices. For such a device to be cleaned, it must be removed and restored at some convenient time (such as during plant shut-down). Unfortunately, dirt build-up usually does not schedule itself to correspond to planned shut-downs.

### Ordering Information

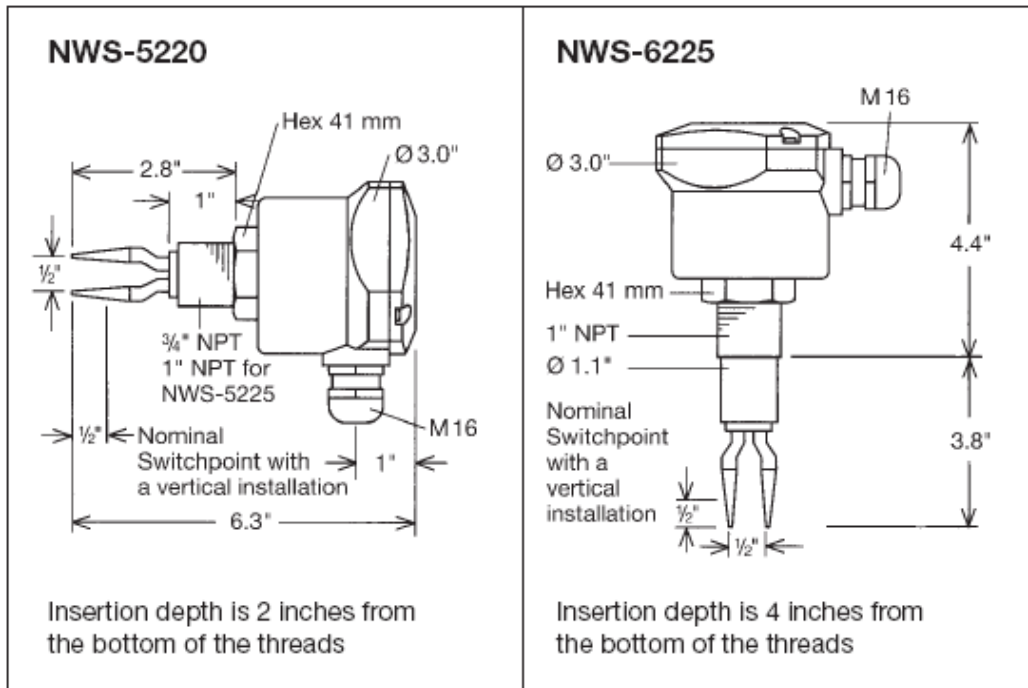
Insertion Depth	Fittings	Model Number
2"	3/4" NPT	NWS-5220
2"	1" NPT	NWS-5225
4"	1" NPT	NWS-6225
2"	2" Tri-Clamp	NWS-7250
<b>Options</b>		
EP	Custom Insertion Depth up to 40"	





## NWS - Vibrating Level Switches

### ← Dimensions



### General NWS Usage

