

Avtron M4 Solid Shaft

Magnetic Encoder, Foot or NEMA 56C Face Mount, 5/8" Coupled Shaft



Step up to Magnetic Durability!

- Heavy, Mill Duty
- Immune to water, oil, dust, dirt, etc.
- Up to 1200 PPR
- Temperature protected seals
- Rugged cast housing
- Optional dual isolated outputs
- Replaces older optical units on DC motors
- Foot mounting available

M4-1 and M4-2 heavy mill duty magnetic solid shaft encoders are designed for NEMA 56C face mounting (M4-1) and foot mounting (M4-2) using a coupled solid shaft. Other models are available for hollow shaft mounts M4-3 thru -9.

Leave optical encoders in the dust! M4 magnetic heavy duty encoders are

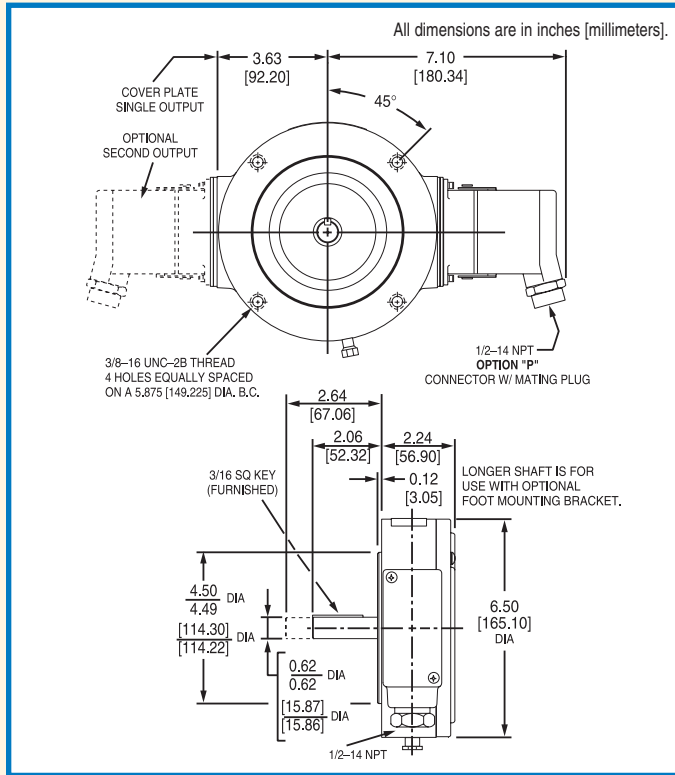
designed for use in mill environments with water, oil, moisture, dust, and dirt.

The M4 features a stainless steel breather/drain that enables the M4 to withstand dramatic, repeated temperature changes without stressing the seals, and without condensation problems.

M4 encoders offer a huge variety of connector and mounting options to replace virtually any existing encoder or tachometer. Upgrade to an M4 encoder for maximum uptime!

M4 Magnetic, Solid Shaft Encoder (5/8")

OUTLINE DRAWING



Check out our web site for more detailed specifications, drawings, and installation instructions. www.avtronencoders.com

MORE M4 ADVANTAGES

- Highly resistant to electrical and magnetic motor and brake noise
- Second isolated output may be different PPR
- Available BC42, BC46, 5PY adapters to replace older DC tachogenerators
- Replaces Avtron M727A and M737A
- Optional -40° C operation

M4 SPECIFICATIONS

Operating Power: 5-24 VDC; Current 120mA, no load

Output Format: A, \bar{A} , B, \bar{B} ; Optional Marker Z, \bar{Z}

Frequency Range: 0 to 100 KHZ

PPR: 240-1200

Speed: 5000 RPM Max. Std., (for higher speeds, consult factory)

Temperature: -40°* to 85°C (*-20° standard)

Chemical: Polyurethane enamel paint protects against salt spray, mild acids, and bases

Weight: 7 lbs.

SELECTION GUIDE

Foot Mount Kits	
A22232	- Standard Foot Mount
A25448	- BC42/46 Foot Mount

Model	Mounting Style	Shaft Style	Line Driver	Left & Right Output Range	Base PPR	Marker	Connector	Modifications
M4-	0- Non-Standard 1- Face Mount 5/8" x 2" shaft 2- Foot Mount 5/8" x 2.64" (2" net) shaft	S- Single Ended Shaft	1- 5 to 24 VDC 2- 5 to 18 VDC 3- 18 to 24 VDC 4- 5 to 24 V in, 5 V fixed out	X- None L- Low Range (Base PPR x 1/2) M- Medium Range (Base PPR x 1) H- High Range (Base PPR x 2)	48- 480 51- 512 60- 600	Z- Marker - - None		000- None 005- -40° C Rating 009- Northstar pinout
Connector								
10 Pin Connector				5 Pin MS Connector		Conduit Box	3 ft. Flex. Cable	
MS		MS mini		EPIC		N- with color coded leads T- with Terminal Block	W- Sealed, Pigtail X- Sealed, Industrial Connector without Plug Z- Sealed, Industrial Connector with Plug	
A- without Plug ^s B- with Flex. Conduit Adapter ^s C- with Plug ^s	K- with Flex. Conduit Adapter ^b L- elbow with Plug ^b M- without Plug ^b	R- Baldor without Plug S- Baldor on 3 ft. Pigtail	P- with Plug V- without Plug	M737A replacement E- without Plug ^s F- with Plug ^s M727A replacement H- without Plug ^s J- with Plug ^s				

^s side exit ^b bottom exit

All dimensions are in inches [millimeters].
Specifications and features are subject to change without notice.



Gordy's Sensors

5772 Smaller Rd, Johnstown, OH 43031 Phone: (740) 967-2283 Fax: (740) 967-2855
Website: www.gordyssensors.com or Email: sales@gordyssensors.com