



Professional Laser Distance Measure GS4010



Features

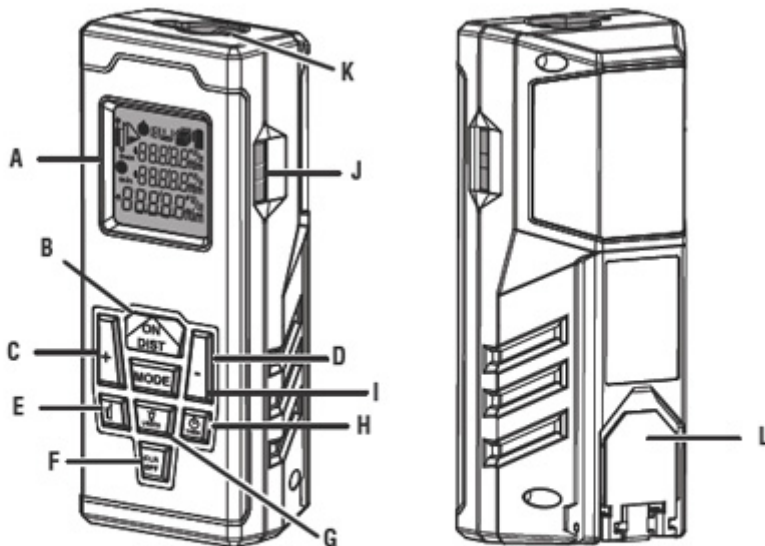
- 0.25% of Full Scale Accuracy
- Precision Machined Diaphragm with No Welds or O-ring Seals
- Pressure Ranges 0-50 through 0-10,000 PSIG
- All Stainless Steel Wetted Parts
- Unique Sensor Fusing Technology for Exceptional Cycle Life
- Full Featured – LOW COST OEM Solution

Includes

- GS4010 Laser Distance Measure
- GS4001 Battery
- GS4700 Charger
- Holster
- Operator's Manuals

Product Specifications

Accuracy:	1/16"
Range:	up to 195 ft.
Volts:	120V AC
Battery:	4V Lithium-Ion
Charge Time:	5 hours



- A - LCD Display (afficheur ACL, pantalla de cristal líquido)
- B - ON/DIST (ON/DIST, ON/DIST)
- C - Plus (plus, más)
- D - Minus (moins, menos)
- E - Reference (référence, referencia)
- F - Clear/Off (supprimer/arrêter, borrar/apagado)

- G - Units (unités, unidades)
- H - Timer (chronomètre, temporizador)
- I - Mode (mode, modo)
- J - Level (niveau, nivel)
- K - Laser (laser, láser)
- L - Stop bracket (patte d'arrêt, soporte de tope)

