



Professional Infrared Thermometer GS4030



Features

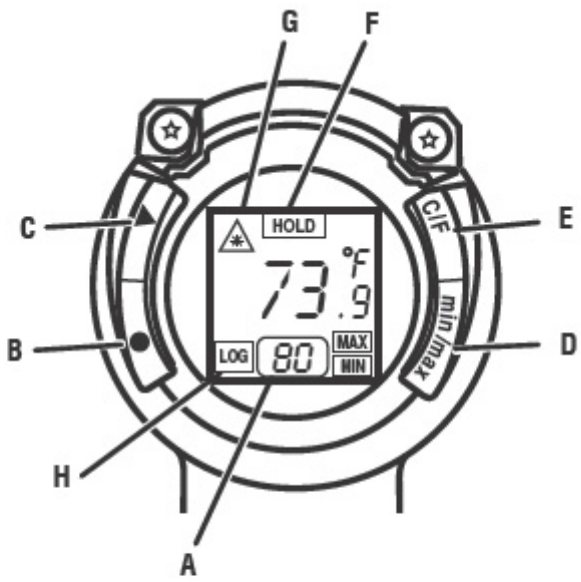
- Continuous Real-Time Readout
- Pro-Grade 10:1 Spot / Distance Ratio – Accurately measures temperatures ranging from -4 to 590 degrees Fahrenheit (-20 to 310 Celsius)
- Measurement Memory Function – Internal Memory stores up to 10 readings for easy comparison and convenient data logging
- Impact Resistant – Able to withstand the daily abuse of any tough job site environment

Includes

- GS4001 Battery
- GS4700 Charger

Product Specifications

Battery Pack Voltage	4 V DC
Laser Certifications	Class II<1mW, 630-670 Nm
IR Display Resolution	0.1°C/°F
Ambient Operating Temperature Range	30° to 122° F
Response Time	0.5 sec
Distance to Spot Ratio	10:1
Emissivity	Preset to 0.95
Data Memory	10 readings



- A - LCD Display (afficheur ACL, pantalla de cristal líquido)
- B - RECORD button (bouton RECORD [(Enregistrer)], botón de Grabación)
- C - PLAY button (bouton Play [Lecture], botón de Reproducción)
- D - Min/max button (bouton min/max [Minimum/maximum], botón min/max [mínimo/máximo])
- E - °C/°F button (bouton °C/°F, botón °C/°F)
- F - HOLD indicator (icône HOLD [Retenue], ícono HOLD [retención])
- G - LASER indicator (icône Laser, ícono Laser)
- H - LOG indicator (icône LOG [Journal], ícono LOG [registro])

